



QUAD 4000 OPERATOR SPECIFICATIONS

Quad 4000 Surface Mounted Automatic Swing Door Operators are designed for indoor mounting. The Quad 4000 can be used with a single or double, in-swing or out-swing door. Pressing the activating switch engages the operator to slowly open the door for a delayed time (can be adjusted) before closing.



Standard System Features and Benefits:

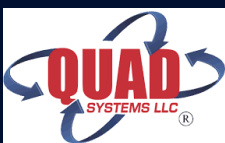
- Low Energy Applications.
- Rugged Design for Heavy & Oversized Door Applications.
- Quad 4000 Headers to be surfaced mounted onto Door Frame and Panel provided by others.
- Unit to be actuated by push plate or push button switch mounted on each side of opening for two-way traffic.
- Built-in relay for electric strike with unlock delay.
- Compliant with ANSI A156.19, A117.10 and Americans with Disabilities Act of 1990.
- ETL & UL Listed Product.

Adjustments:

- Opening and closing speeds are fully adjustable for different door sizes and weights.
- Time delay: 1-99 seconds (ANSI 156.19 requires 5 second minimum time delay.)
- Opening force and hold open torque are fully adjustable.
- Available feature: Push and Go automatic activation by pushing or pulling door panel.

Electrical Requirements:

- Provide 120 VAC, 60 Hz, single phase, 15 amp, dedicated circuit to unit. Maximum Current draw is 3.15 amps.

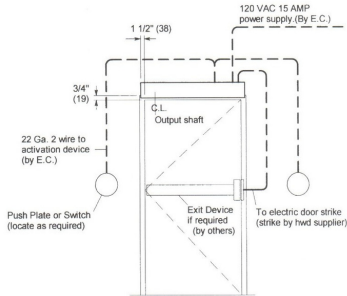




WE OPEN DOORS.
TEXAS TOUGH. AMERICAN MADE.

QUAD 4000 OPERATOR SPECIFICATIONS

Actuation Wiring



Single Unit

Standard Packages

Single Units

Types: LH, RH, LHR, RHR

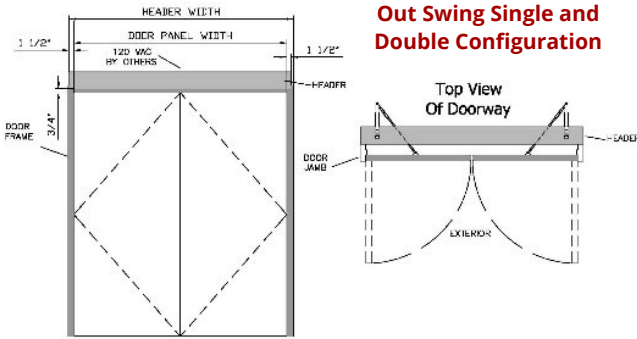
Double Units

Types: LH, RH, LHR, RHR

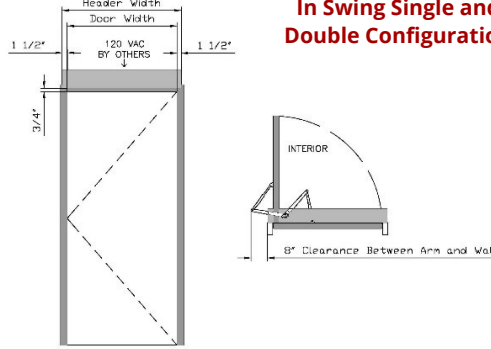
Door Width	Header Width	Door Width	Header Width
3'-0" (914)	3'-3" (991)	5'-0" (1524)	5'-3" (1600)
3'-6" (1067)	3'-9" (1143)	6'-0" (1829)	6'-3" (1905)
		7'-0" (2133)	7'-3" (2210)

Anodized Finishes: Clear or Dark Bronze
Maximum Door Width Up To 48"

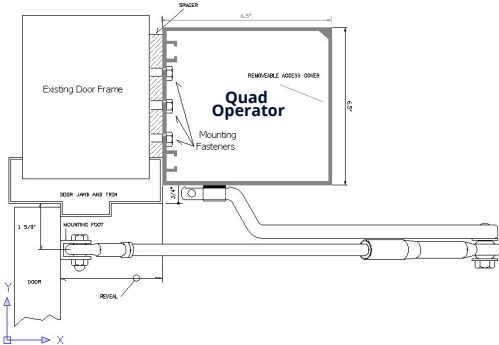
Out Swing Single and Double Configuration



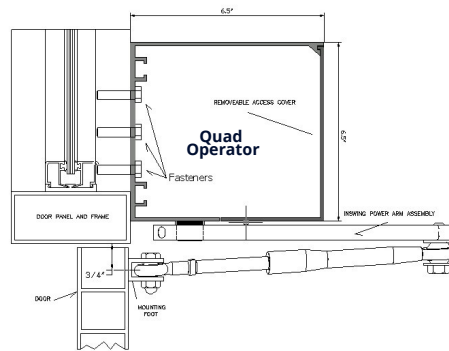
In Swing Single and Double Configuration



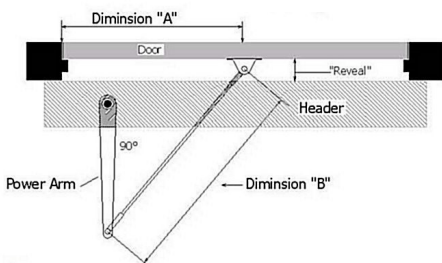
Out Swing Arm Assembly



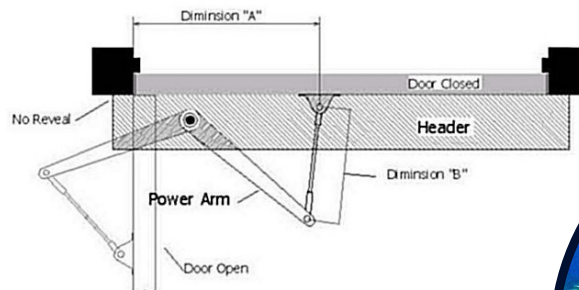
In Swing Arm Assembly



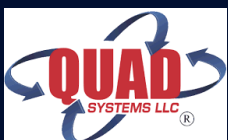
Out Swing Arm Assembly



In Swing Arm Assembly



QUAD SYSTEMS LLC



321 VZ County Road 4500
Ben Wheeler, TX 75754
United States
903.368.3217
Lennie@quadsystemsllc.com
quadautomaticdoors.com

