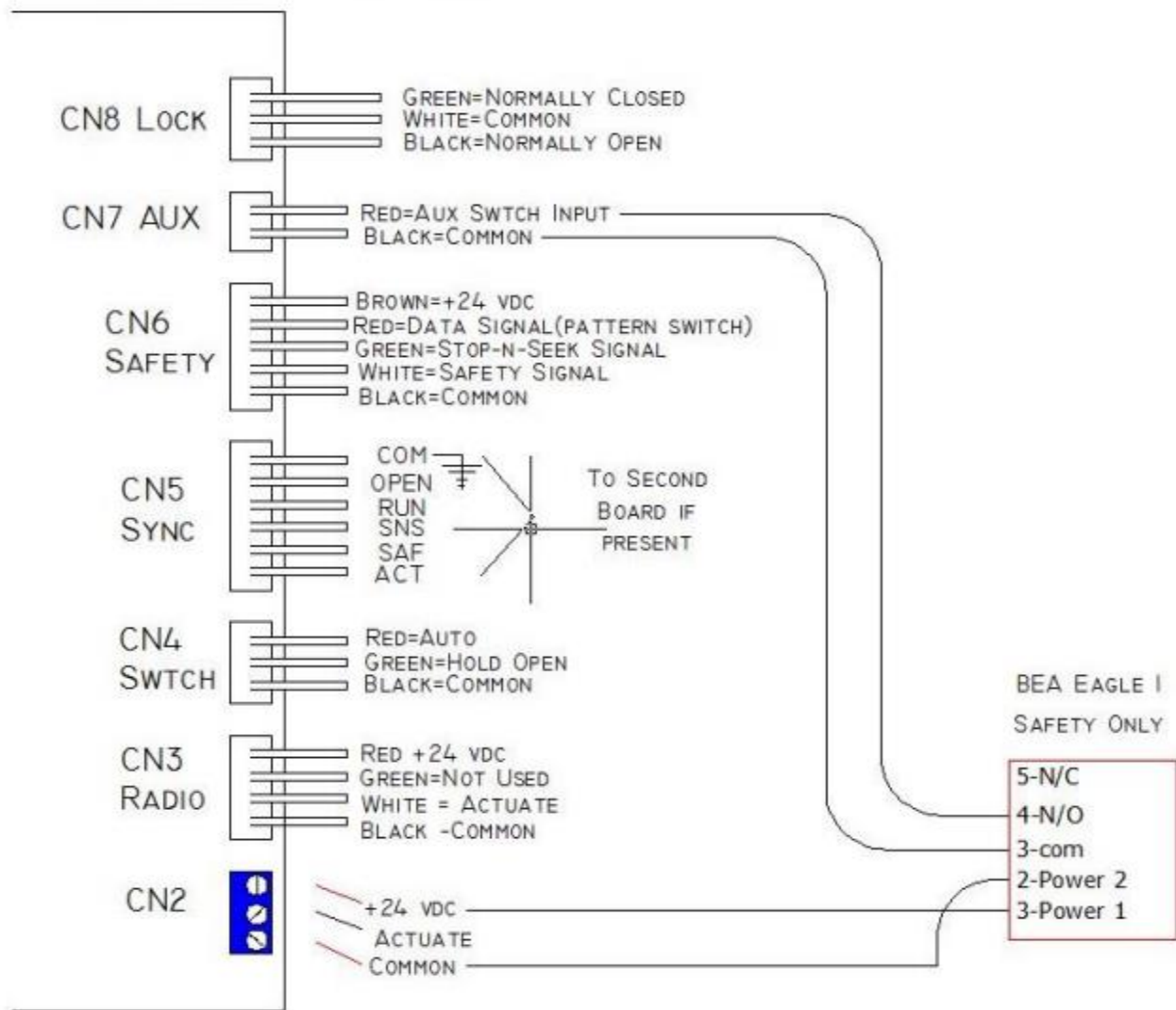




QUAD SYSTEMS
ES-500 "PIN OUT"



"AF" MUST BE SET TO "2"

Setting AF to 2 allows this connection to be used for approach side sensors that function only as recycle/hold open devices (the devices are ignored when the door is closed).