

**28k**  
**Non-Handed**  
**Low Energy**  
**Swing Door Application**



**135 Navigation Blvd.**  
**Corpus Christi, Texas 78408**  
**361-884-8006**

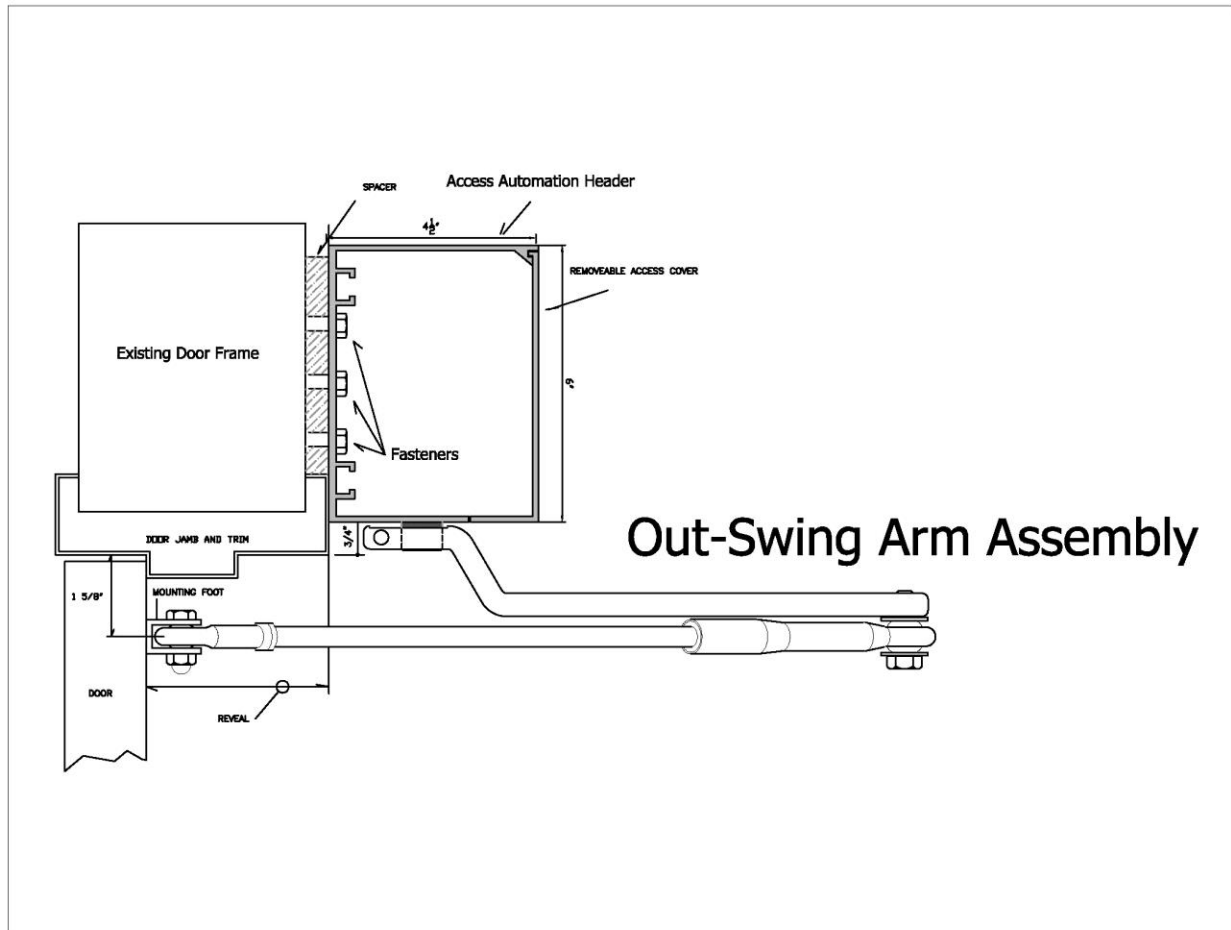
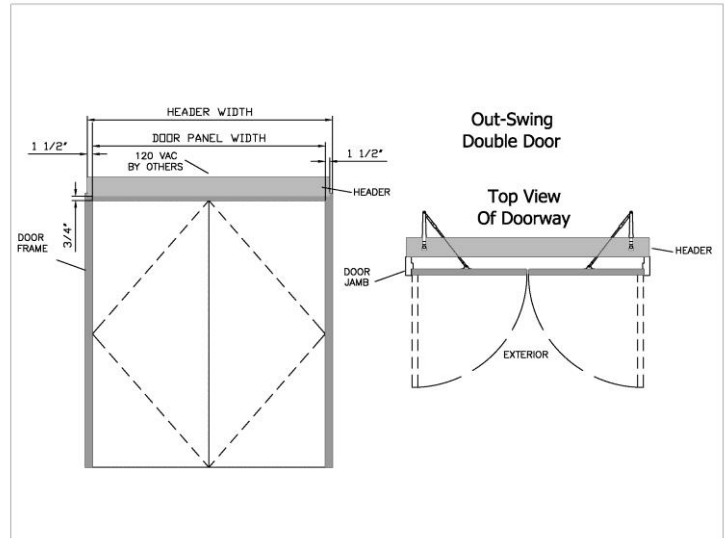
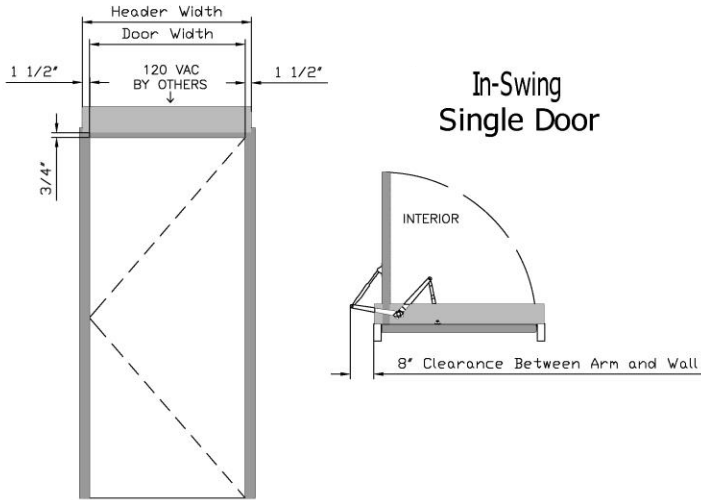
**Distributor:** \_\_\_\_\_

**Job Name:** \_\_\_\_\_

**Location:** \_\_\_\_\_

**Door#:** \_\_\_\_\_ **Date:** \_\_\_\_\_

**Page** \_\_\_\_\_ **Of** \_\_\_\_\_



**NOTES:** (1) 115v 15amp power to be supplied by others. (2) Standard hardware supplied for each unit. (3) Activation and safety devices are optional. (4) Doors and Frames not included.