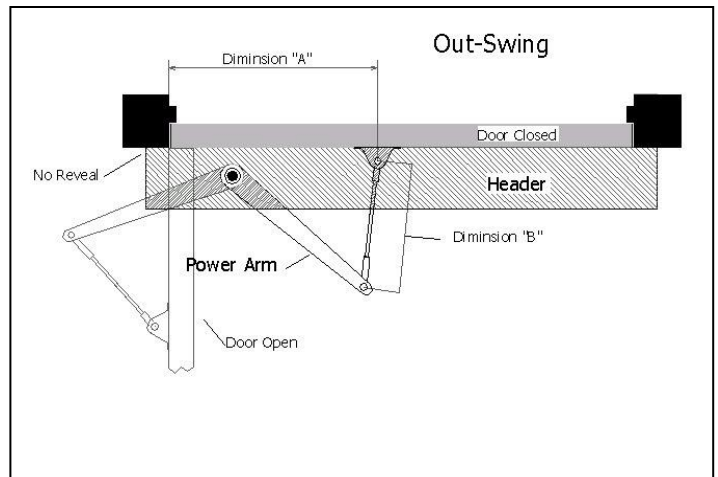
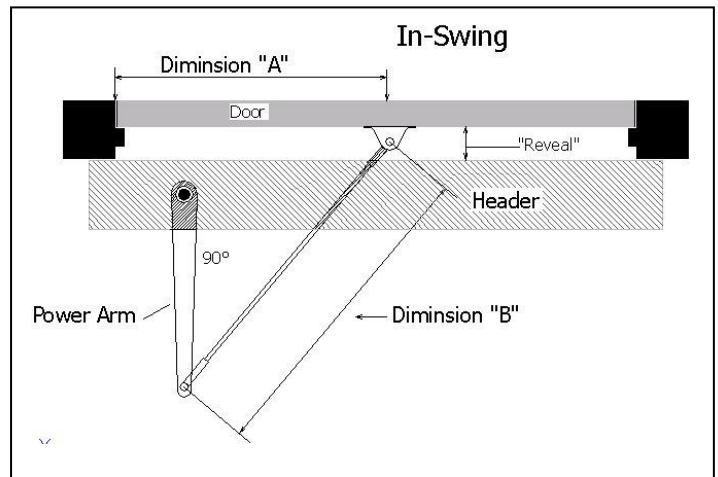


REVEAL In Inches	BUTT HINGE OR OFFSET PIVOT				REVEAL In Inches	CENTER PIVOT 2 3/4"			
	INSWING		OUTSWING			INSWING		OUTSWING	
	DIM "A"	DIM "B"	DIM "A"	DIM "B"		DIM "A"	DIM "B"	DIM "A"	DIM "B"
0	13	10	16	17.5	0	17	9	16	16.5
0.5	13	10	16	17.5	0.5	17	9	16	17
1	13	10	16	18	1	17.5	9.5	16	17.5
1.5	14	10	16	18.5	1.5	17.5	9.5	16	18
2	14	10.5	16	18.5	2	18	10	17	18.5
2.5	14	11.5	16	19.5	2.5	19	10.5	17	19
3	15	12.5	16	19.5	3	19	10.5	18	20
3.5	16	11	16	20.5	3.5	19	11.5	18	20.5
4	17	12	17	20.5	4	25	12	19	20.5

4.5	N/A	N/A	18	21.5
5	N/A	N/A	18	23
5.5	N/A	N/A	18	23
6	N/A	N/A	18	24
6.5	N/A	N/A	18	24
7	N/A	N/A	18	24.5
7.5	N/A	N/A	18	24.5
8	N/A	N/A	18	25.5
8.5	N/A	N/A	18	25.5
9	N/A	N/A	18	26.5
9.5	N/A	N/A	18	26.5
10	N/A	N/A	18	26.5
10.5	N/A	N/A	18	27.5
11	N/A	N/A	18	27.5
11.5	N/A	N/A	18	28.5
12	N/A	N/A	18	28.5
12.5	N/A	N/A	18	29
13	N/A	N/A	18	29.5
13.5	N/A	N/A	18	30
14	N/A	N/A	18	30.5
14.5	N/A	N/A	18	31
15	N/A	N/A	18	31.5
15.5	N/A	N/A	24	24
16	N/A	N/A	24	24
16.5	N/A	N/A	24	24
17	N/A	N/A	24	24
17.5	N/A	N/A	24	24
18	N/A	N/A	24	24
18.5	N/A	N/A	24	24
19	N/A	N/A	24	24
19.5	N/A	N/A	24	24
20	N/A	N/A	24	24
20.5	N/A	N/A	24	24
21	N/A	N/A	24	24

Quad Systems does not recommend In-Swing reveals over 4 inches without a qualified engineers input.



Lengths in borders require extra long Rod. Part # EX-24.5