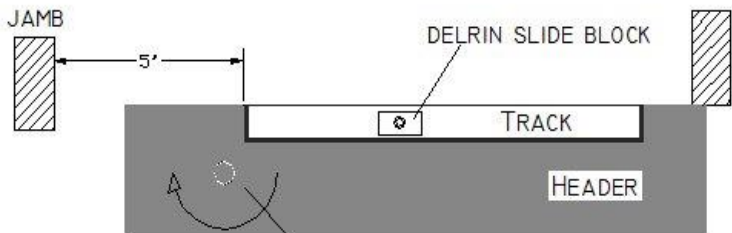




PARALLEL ARM AND TRACK INSTALLATION

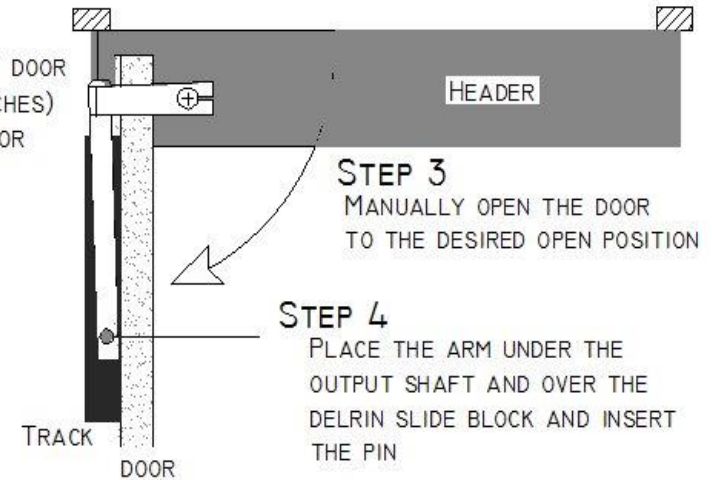


STEP 1

- INSTALL TRACK ON DOOR 1" FROM TOP OF DOOR (1 1/8" IF REVEAL IS MORE THAN ZERO INCHES)
- MARK HOLES AND DRILL #7 HOLES IN DOOR
- MOUNT TRACK WITH # 14 X 3" SCREWS PROVIDED

STEP 2

TURN ON THE UNIT AND PLACE ON "HOLD OPEN" TO ROTATE SHAFT TO MAXIMUM OPEN POSITION



STEP 3

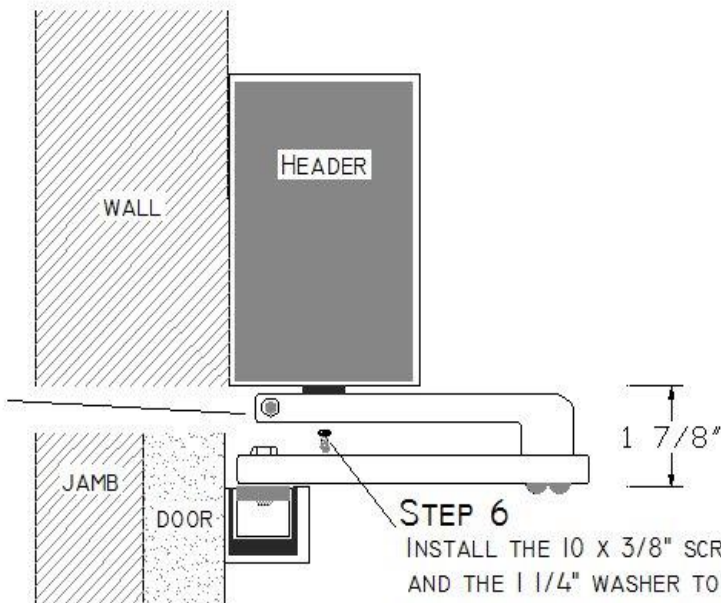
MANUALLY OPEN THE DOOR TO THE DESIRED OPEN POSITION

STEP 4

PLACE THE ARM UNDER THE OUTPUT SHAFT AND OVER THE DELRIN SLIDE BLOCK AND INSERT THE PIN

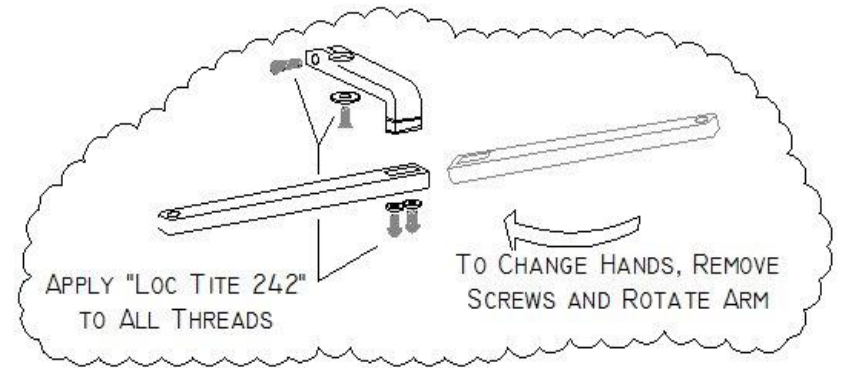
STEP 5

INSTALL THE ARM TO THE OUTPUT SHAFT AND AND TIGHTEN THE 1/4" X 1" SCREW TO 10 FOOT-POUNDS



STEP 6

INSTALL THE 10 X 3/8" SCREW AND THE 1 1/4" WASHER TO THE BOTTOM OF THE OTPUT SHAFT



APPLY "Loc TITE 242" TO ALL THREADS

TO CHANGE HANDS, REMOVE SCREWS AND ROTATE ARM