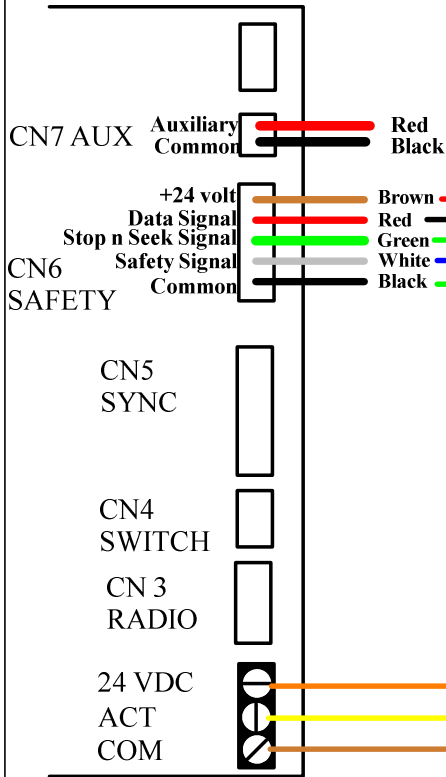


INSTALLATION NOTES

1. Set door speeds, force, time delay and verify proper door operation prior to final connection of sensors system.
2. Primary activation must be Knowing Act. If not then technician MUST WALK TEST to verify function and detection patterns comply with ANSI/BHMA A156.10 requirements.
3. On Knowing Act applications, push/pull activation must be disabled.

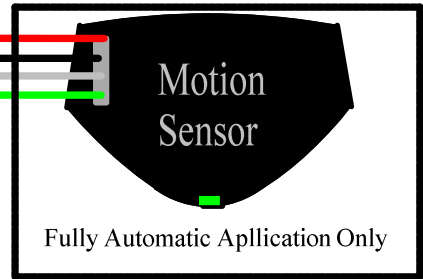
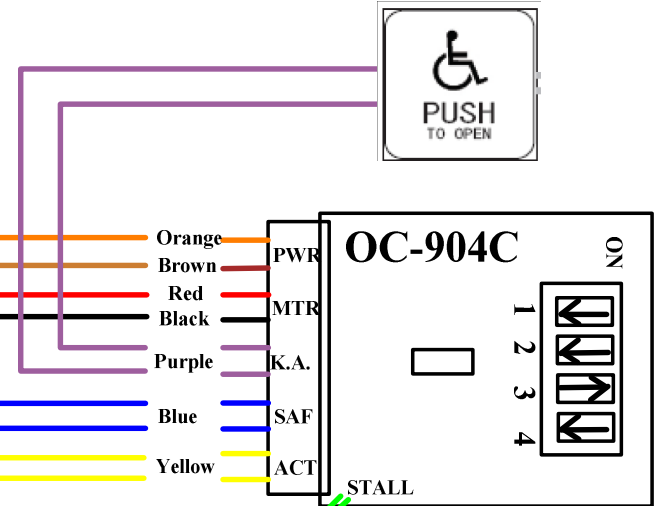
Note: Optinal OC-904 Yellow wires connection point. When the OC-904 Yellow wires are connected to CN7. Auxiliary Function (AF) the parameter value must be (2). This will cause the activation signal from the approach side OA-603 to be ignored when the door is in the close position.

Quad Systems ES-500



OC-904 Dipswitch Settings: OFF ON		
1. Safety Output	N.O.	N.C.
2. Stall Output	N.O.	N.C.
3. Auto/K.A	Automatic	Knowing Act
4. Future Use		

Fully Automatic	Knowing Act
1. OFF	1. OFF
2. OFF	2. OFF
3. OFF	3. ON
4. OFF	4. OFF



Title: Quad Systems ES500 With Elite		Drawing # 01QUAES500ELI01
Drawing By: RNG	Date: 02/02/15	Sheet: 1 of 1
Optex Technologies Inc. 18730 South Wilmington Ave. Suite 100 Rancho Dominguez, CA. 90220 Office: (800)877-6656, Fax: (310)214-8655		