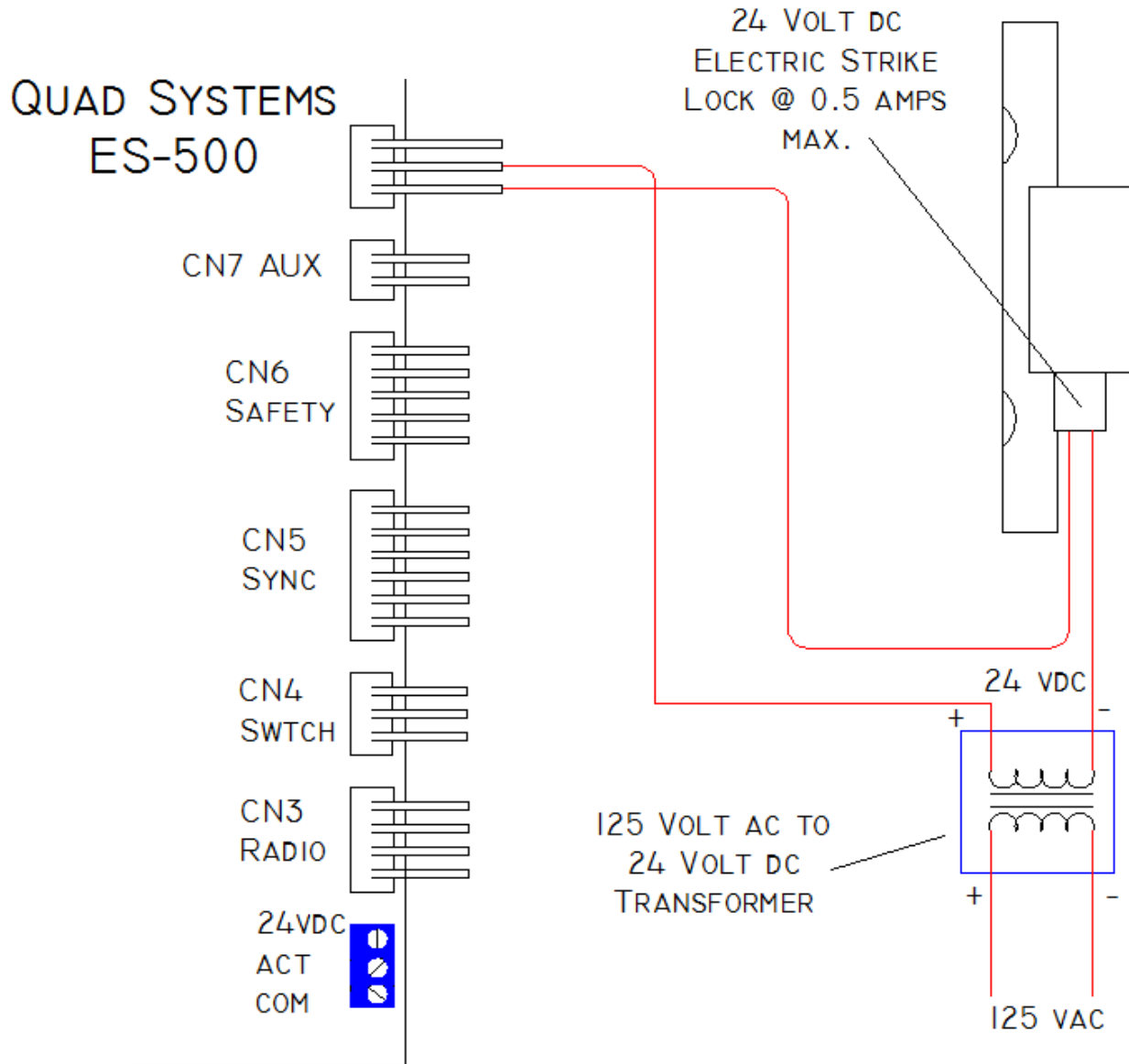




## Lock Harness Diagram (Recommended Method)

### LOCK TO QUAD SYSTEMS ES-500





## Lock Harness Diagram (Alternative Method)

### LOCK TO QUAD SYSTEMS ES-500

