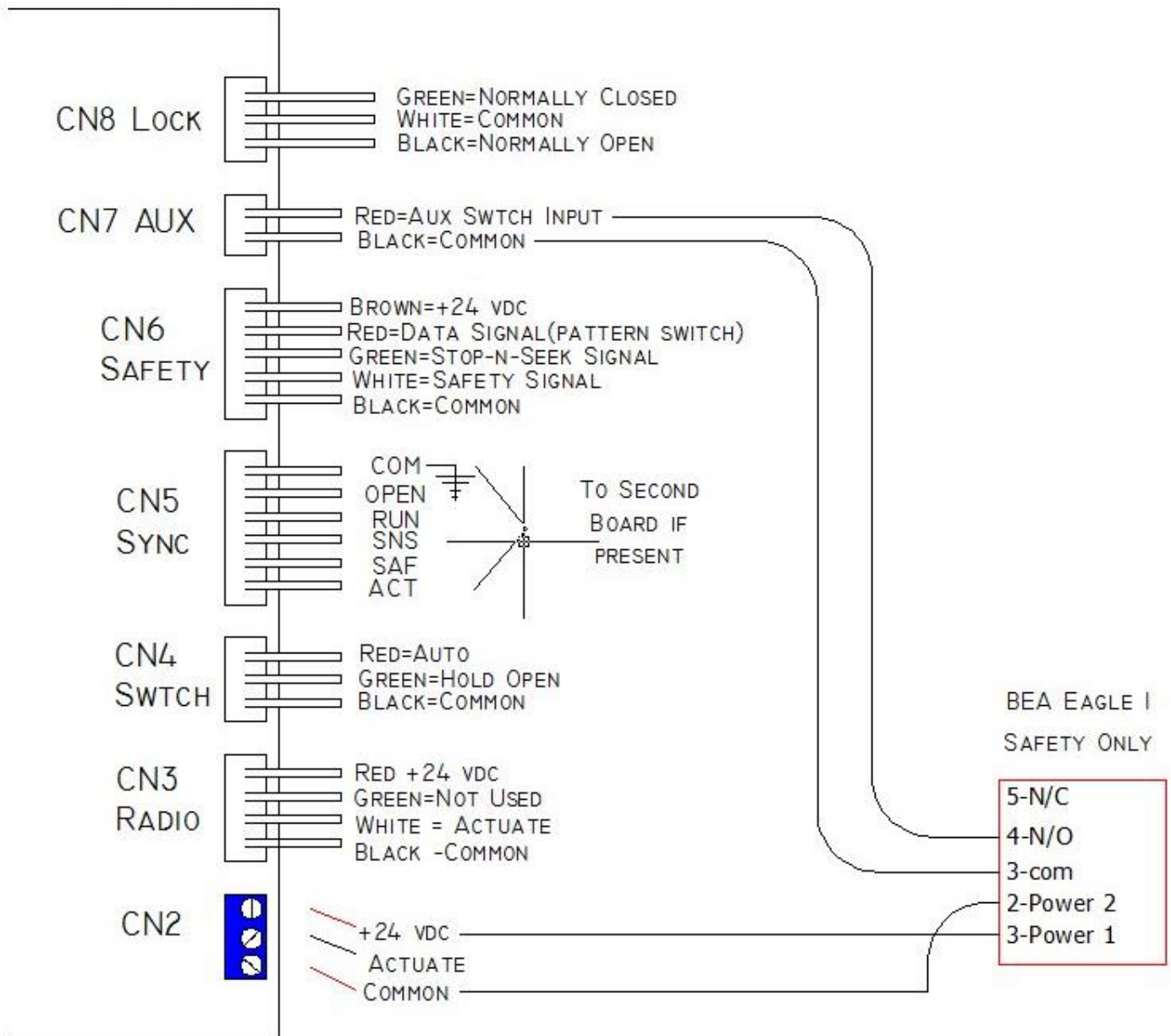




## QUAD SYSTEMS ES-500 "PIN OUT"



"AF" MUST BE SET TO "2"